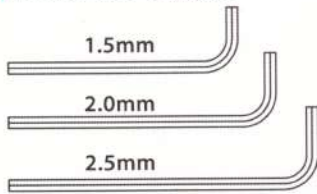


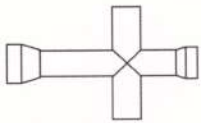
Tools needed for assembly 组装时须用之工具

Addition accessories 配送工具

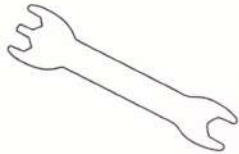
Hex Wrench 六角扳钳



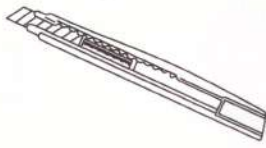
Small Cross Tool 小十字套筒



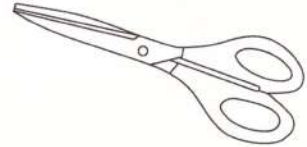
Wrench(small) 扳手(小的)



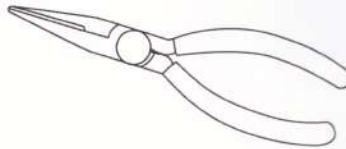
Hobby knife 刮刀



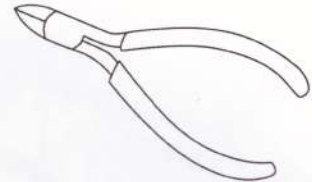
Scissors 剪刀



Needle nose pliers 尖嘴钳



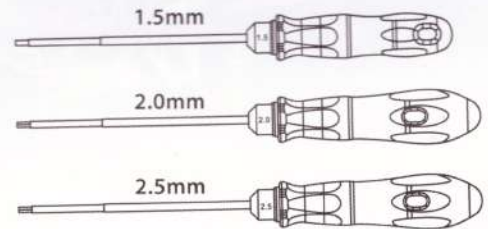
Side cutter 剪钳



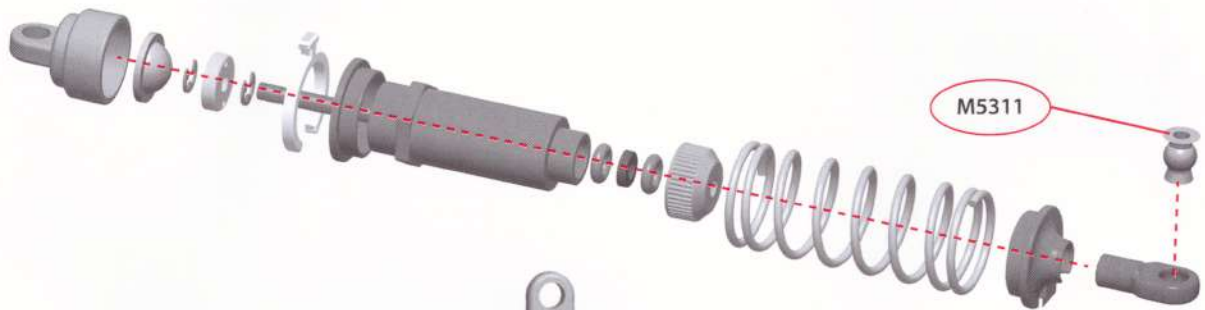
Model Glue 模型胶水



Hex screwdrivers 内六角螺丝刀



Assemble exploded view 装配爆炸图



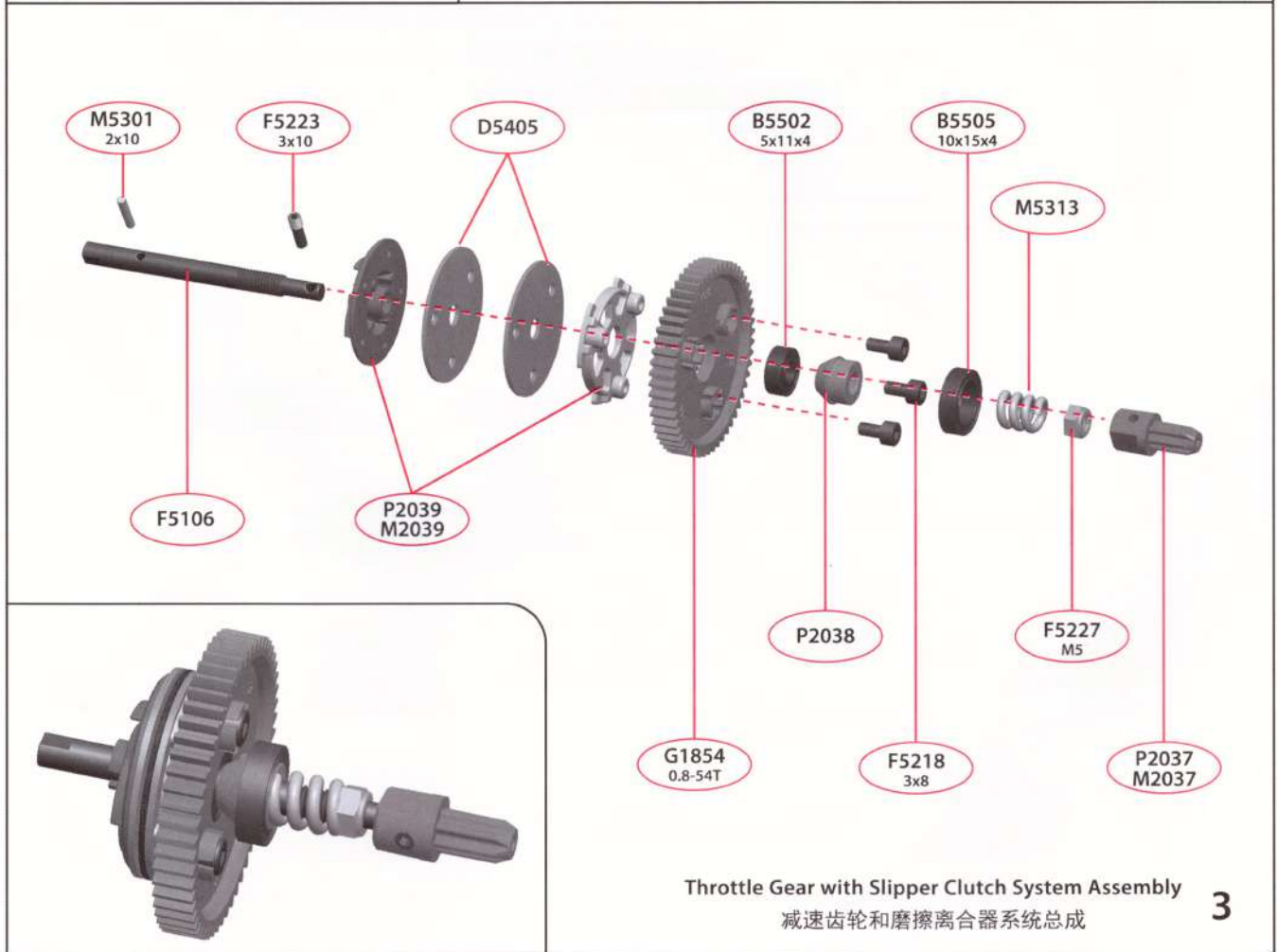
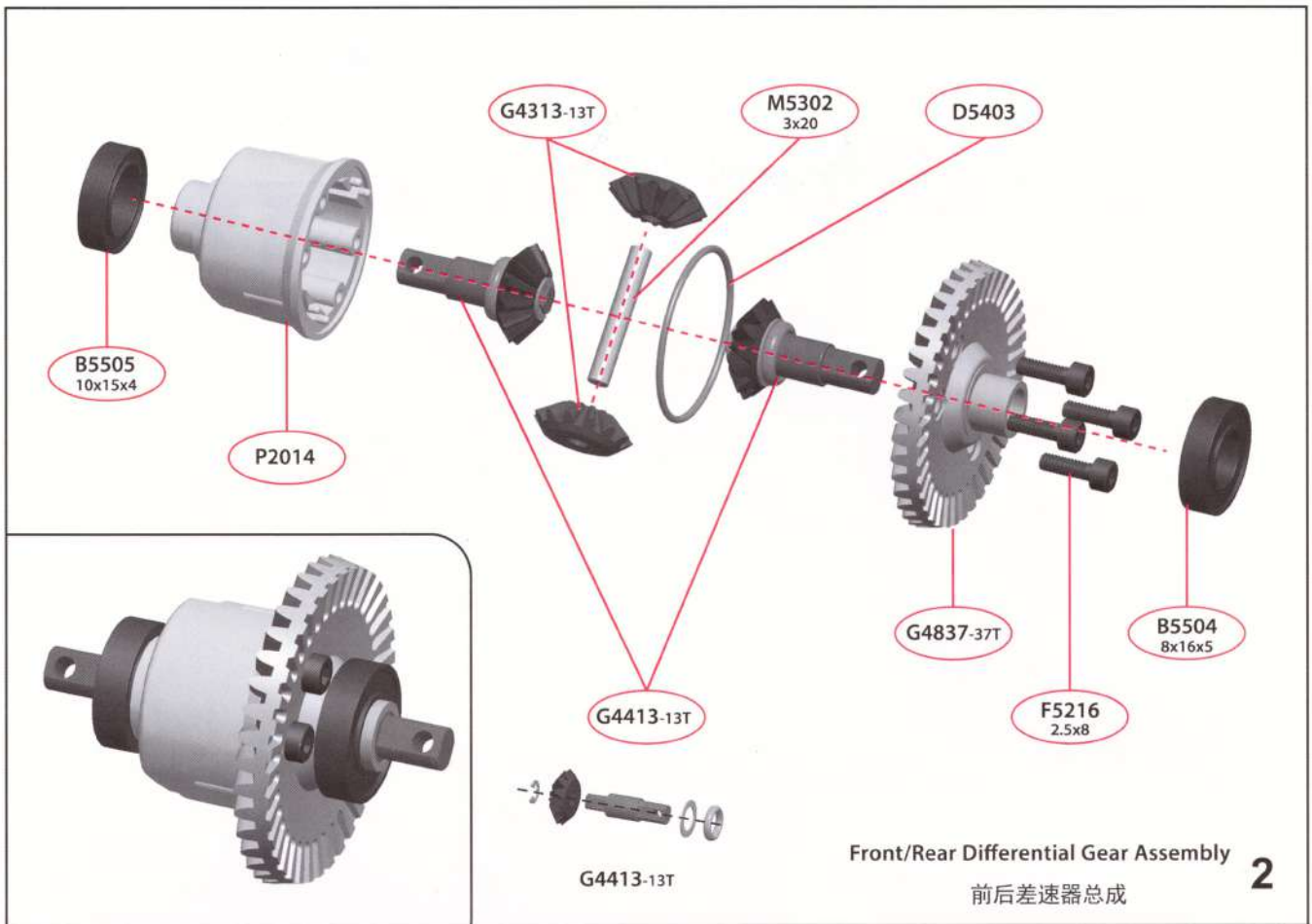
P2022
A2022

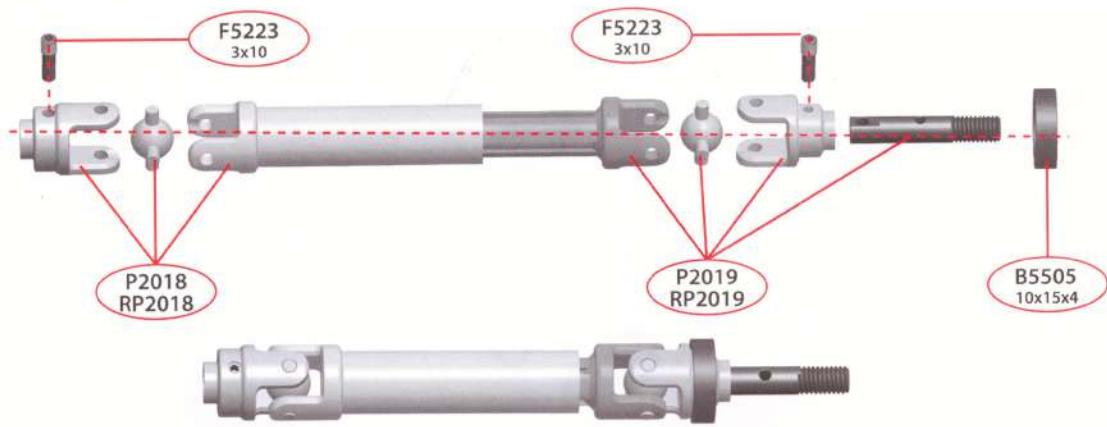


P2049
A2049

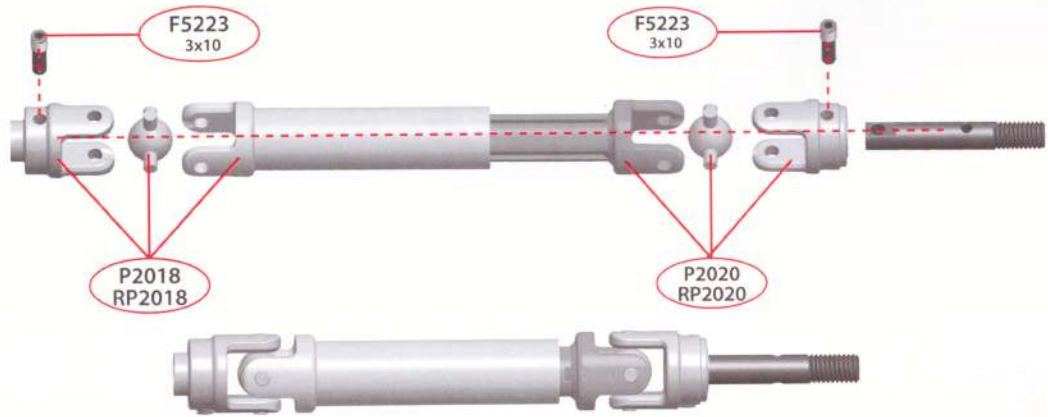
Shock Absorber Assembly
避震器总成

1

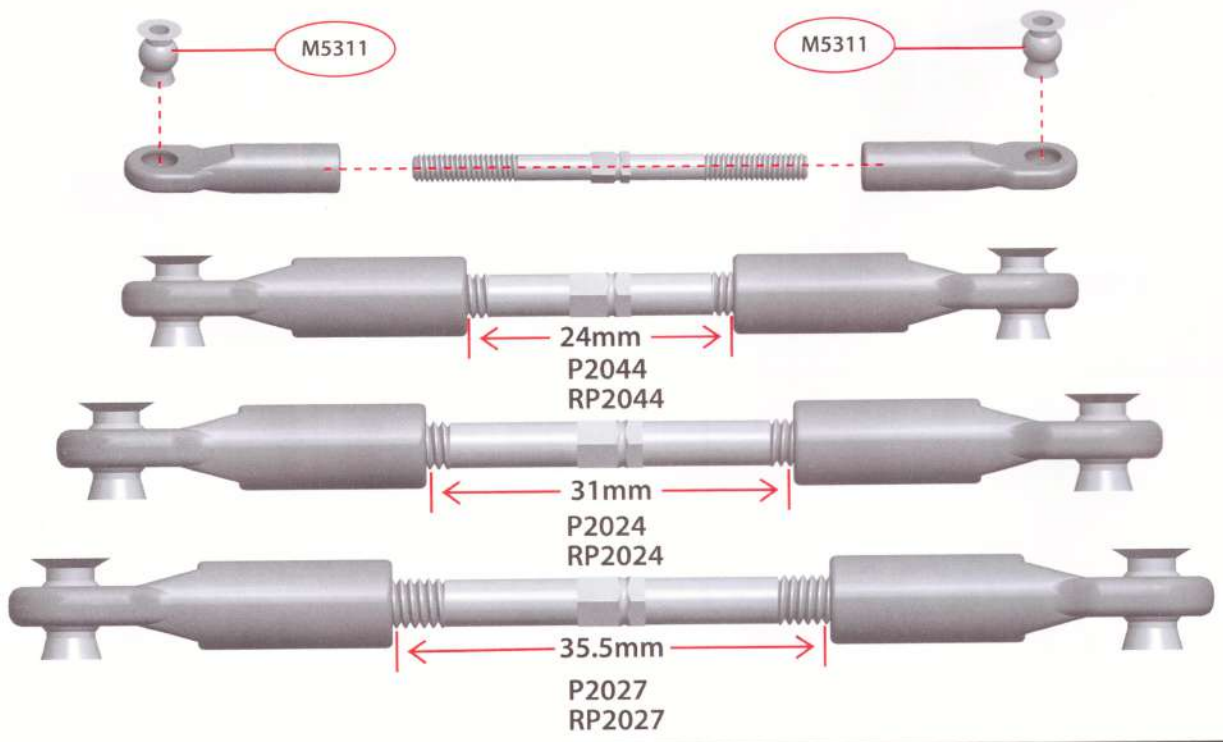




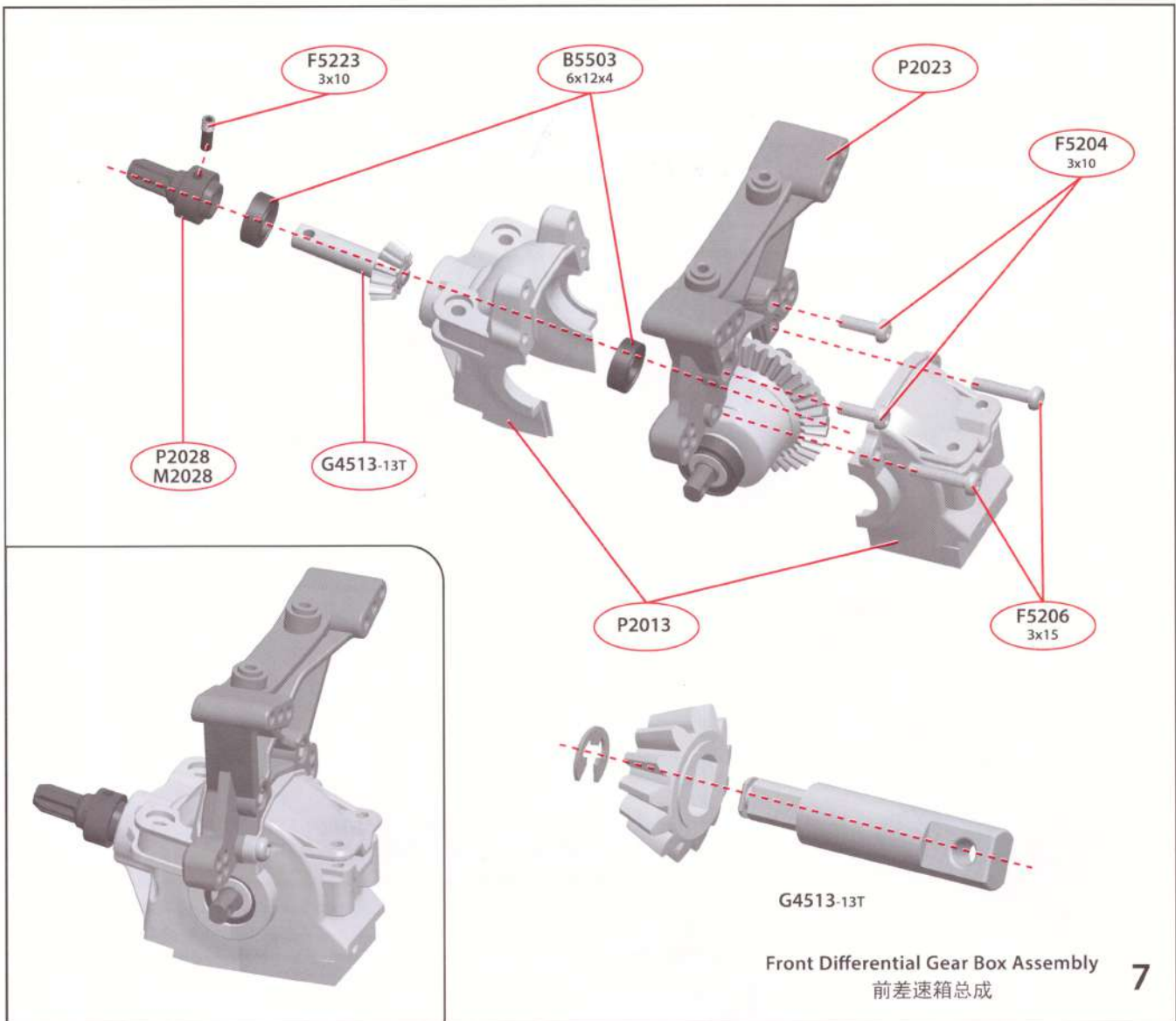
Front Universal Coupling Drive Joint 4
前万向联轴器总成



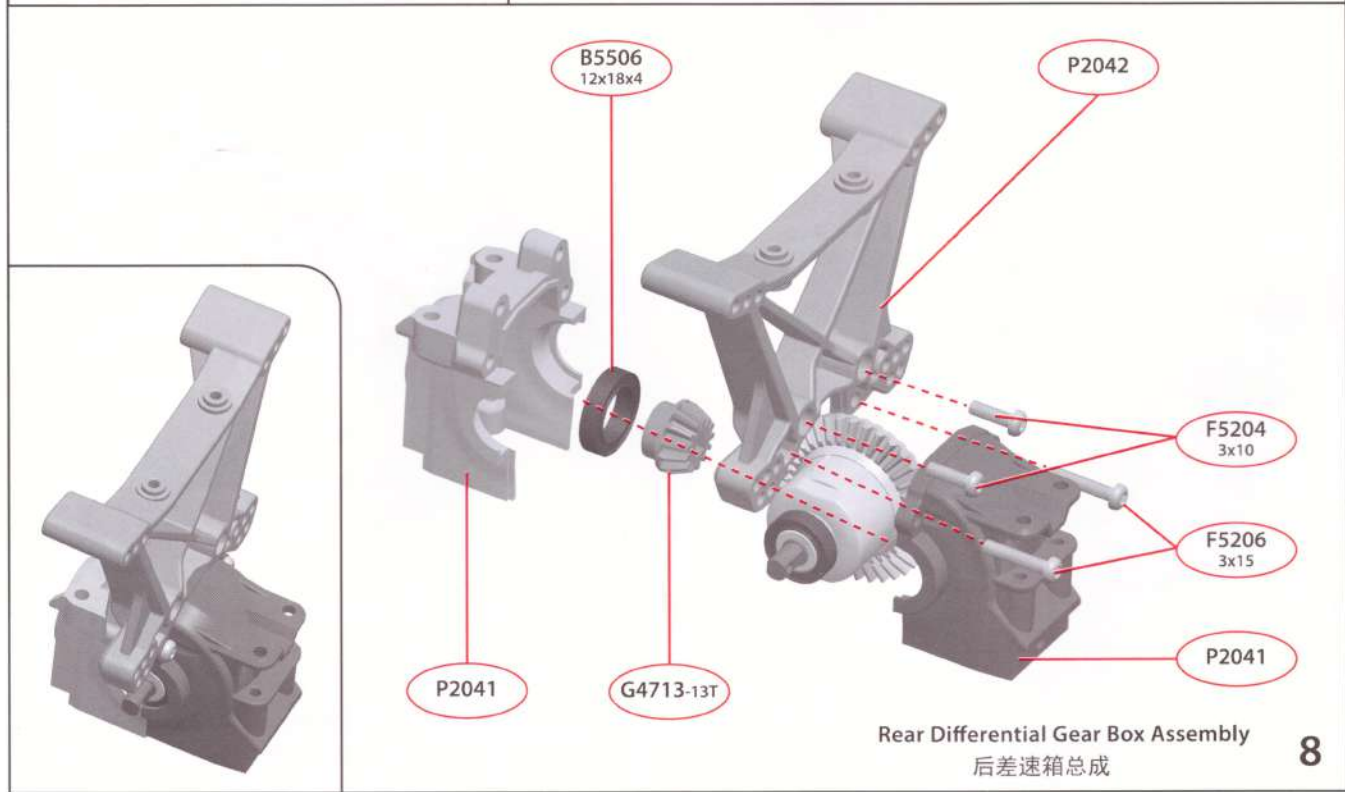
Rear Universal Coupling Drive Joint 5
后万向联轴器总成



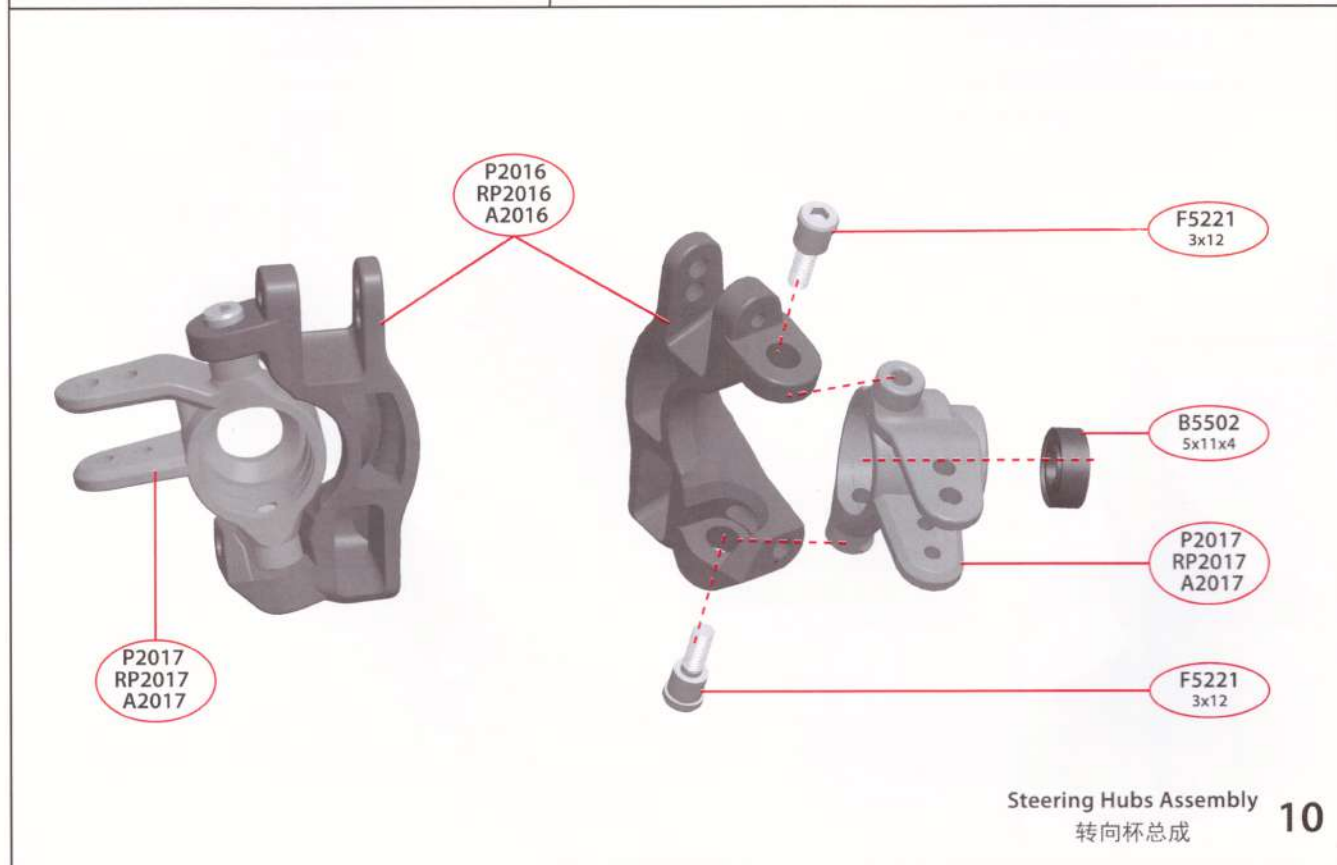
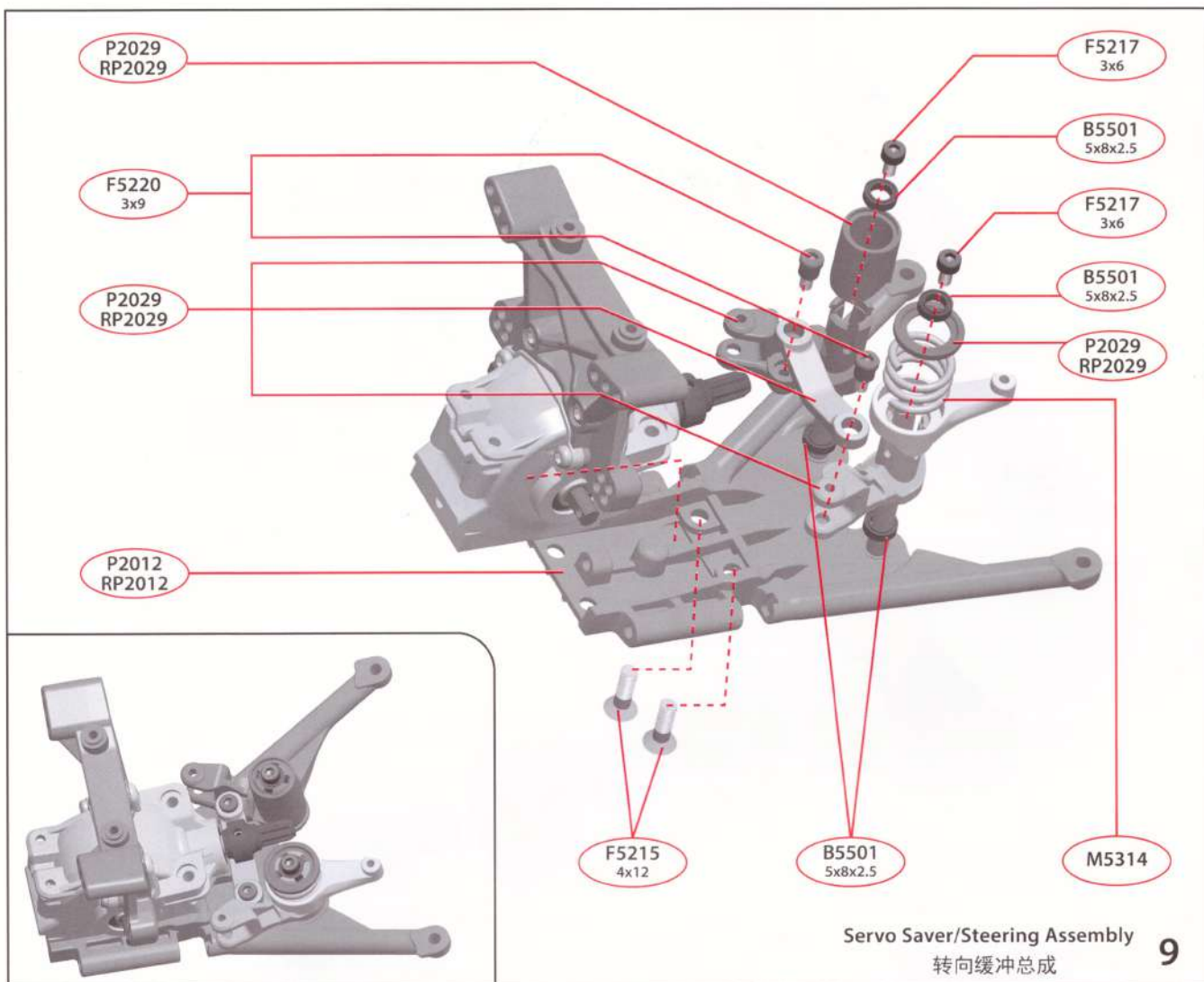
6

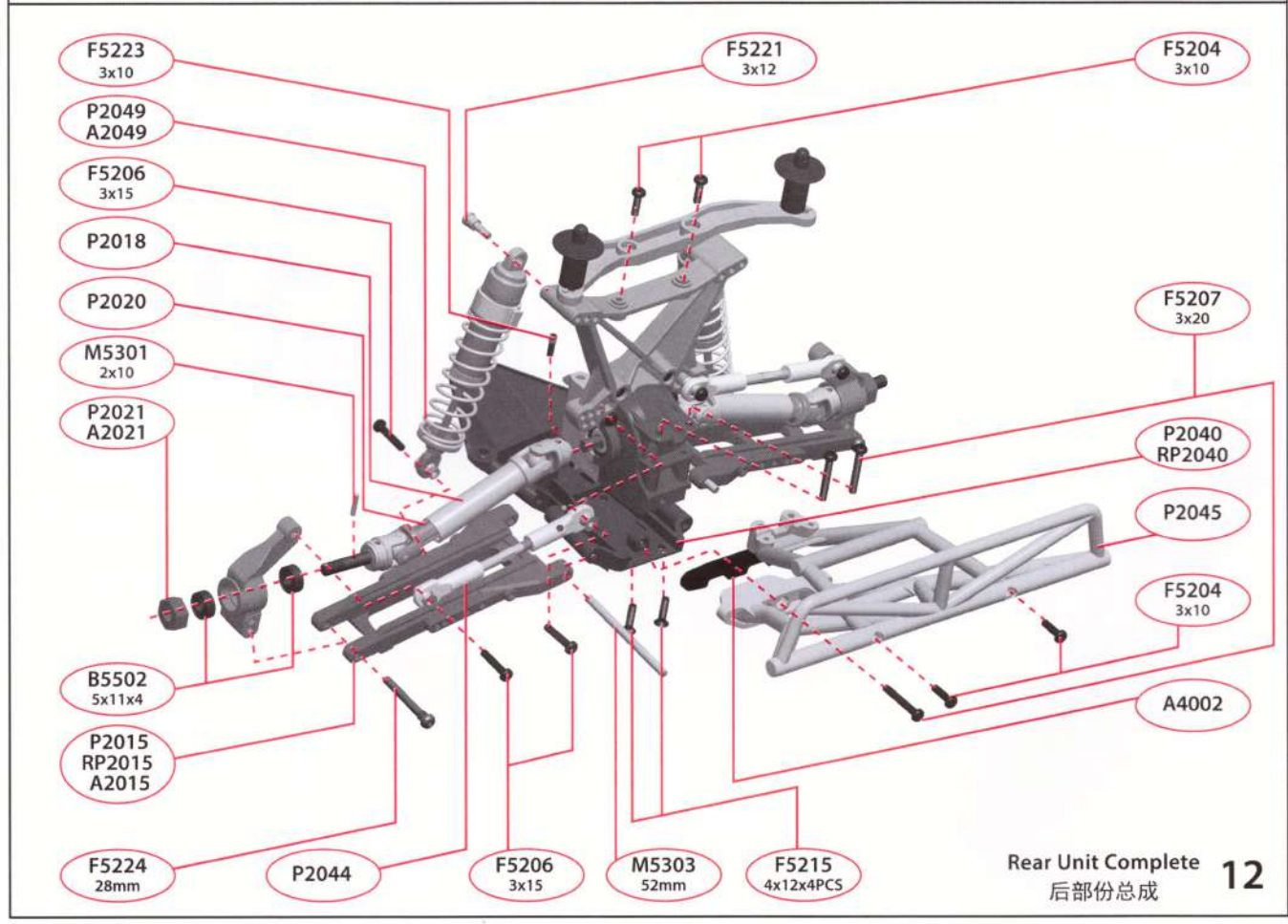
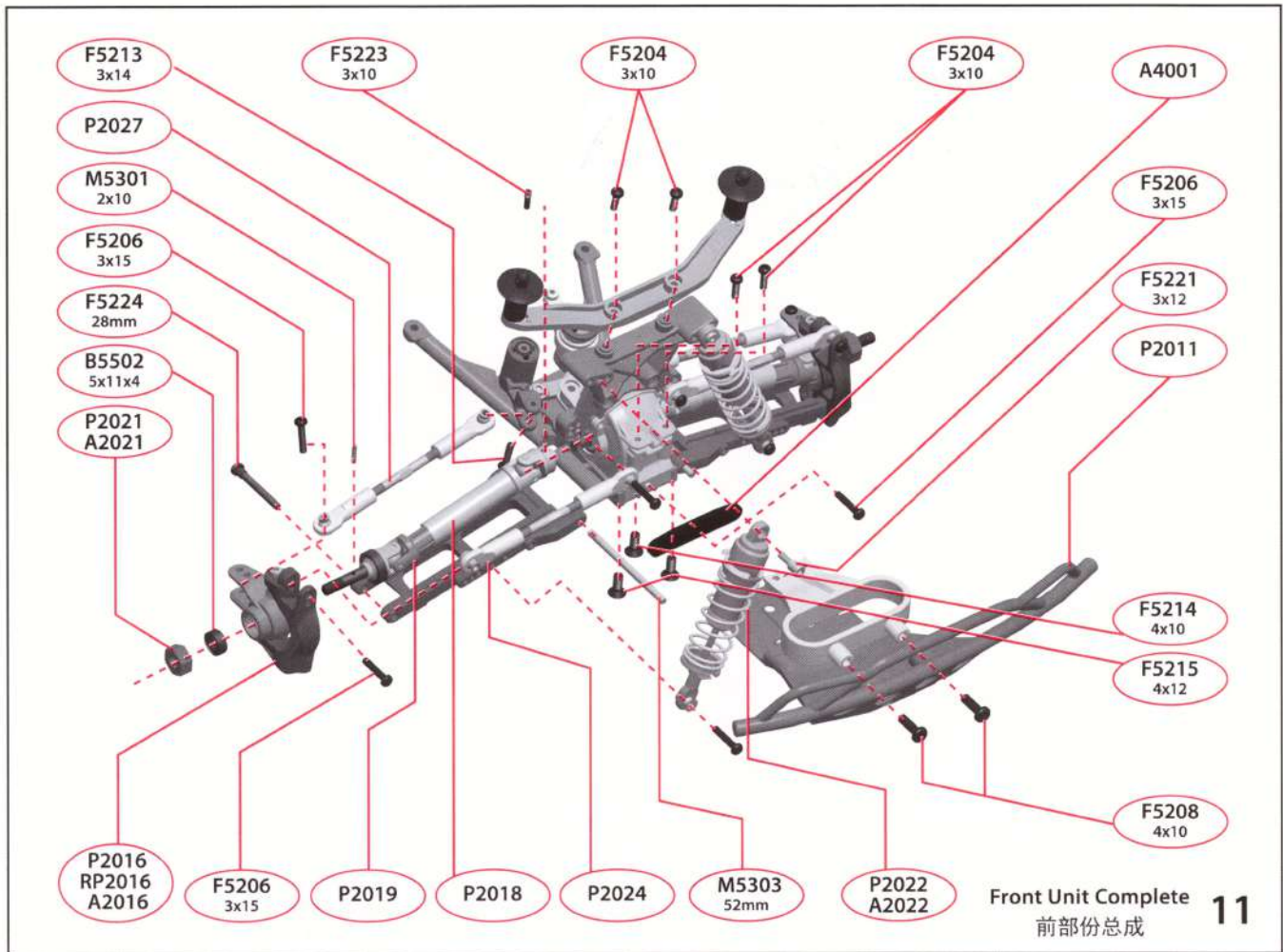


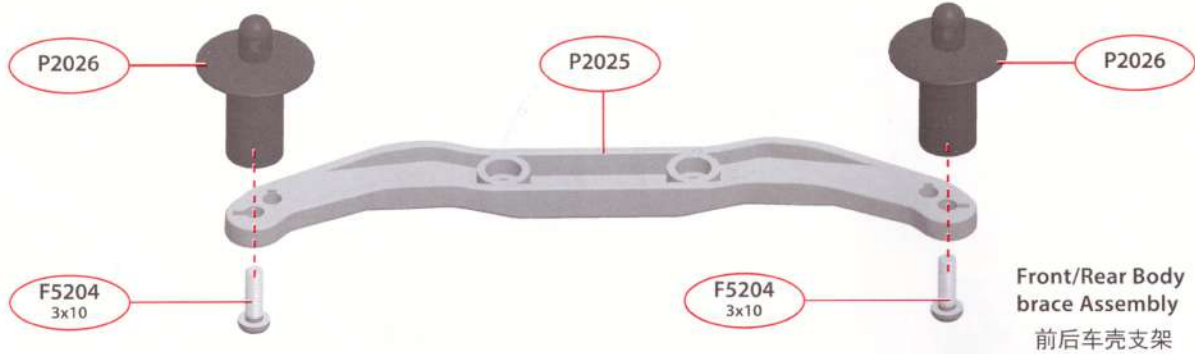
7



8

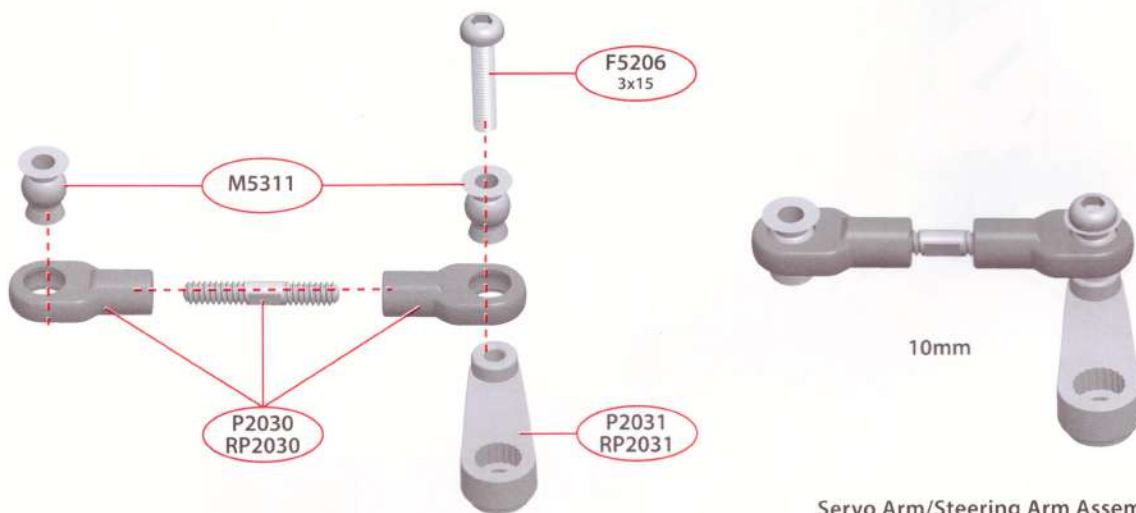






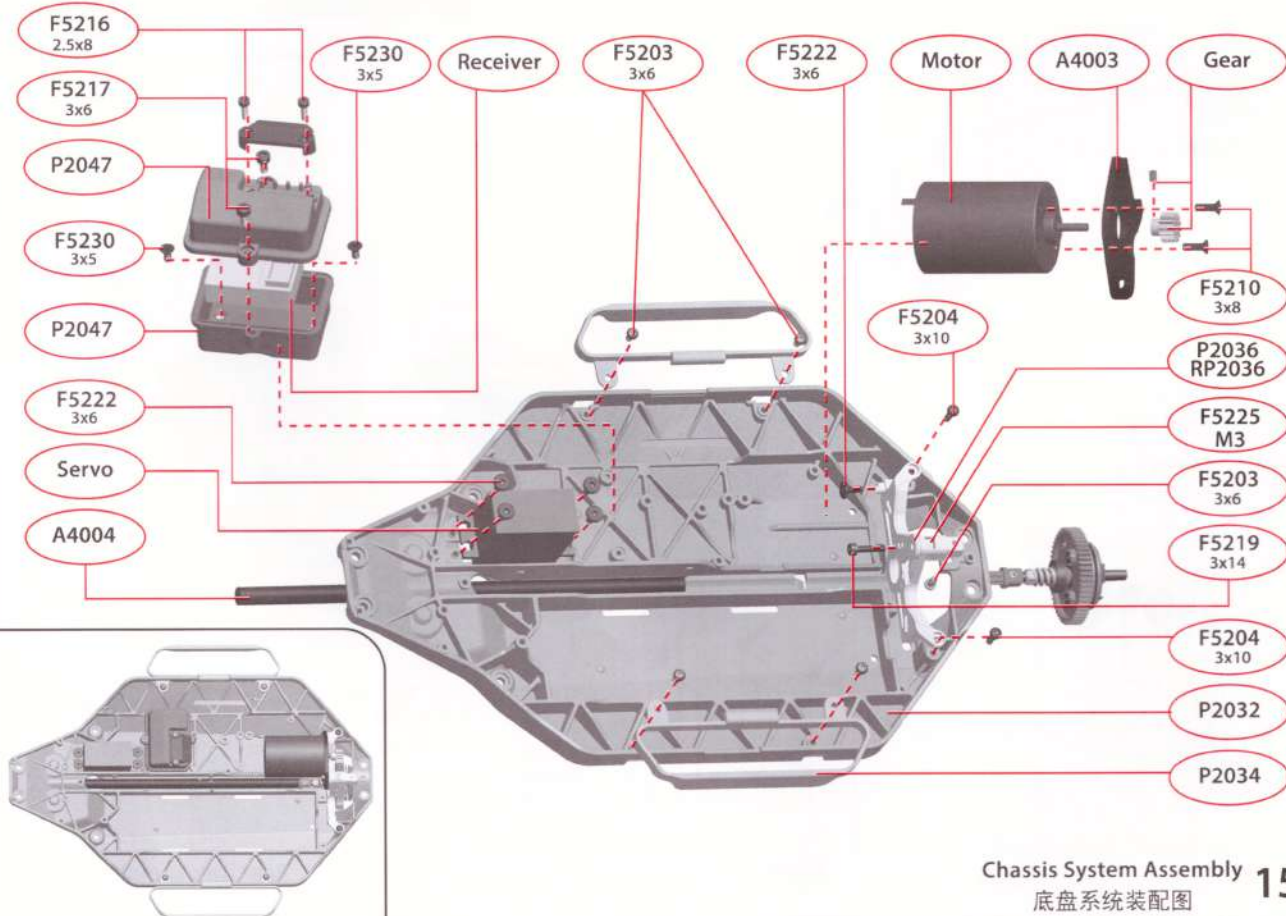
Front/Rear Body
brace Assembly
前后车壳支架

13



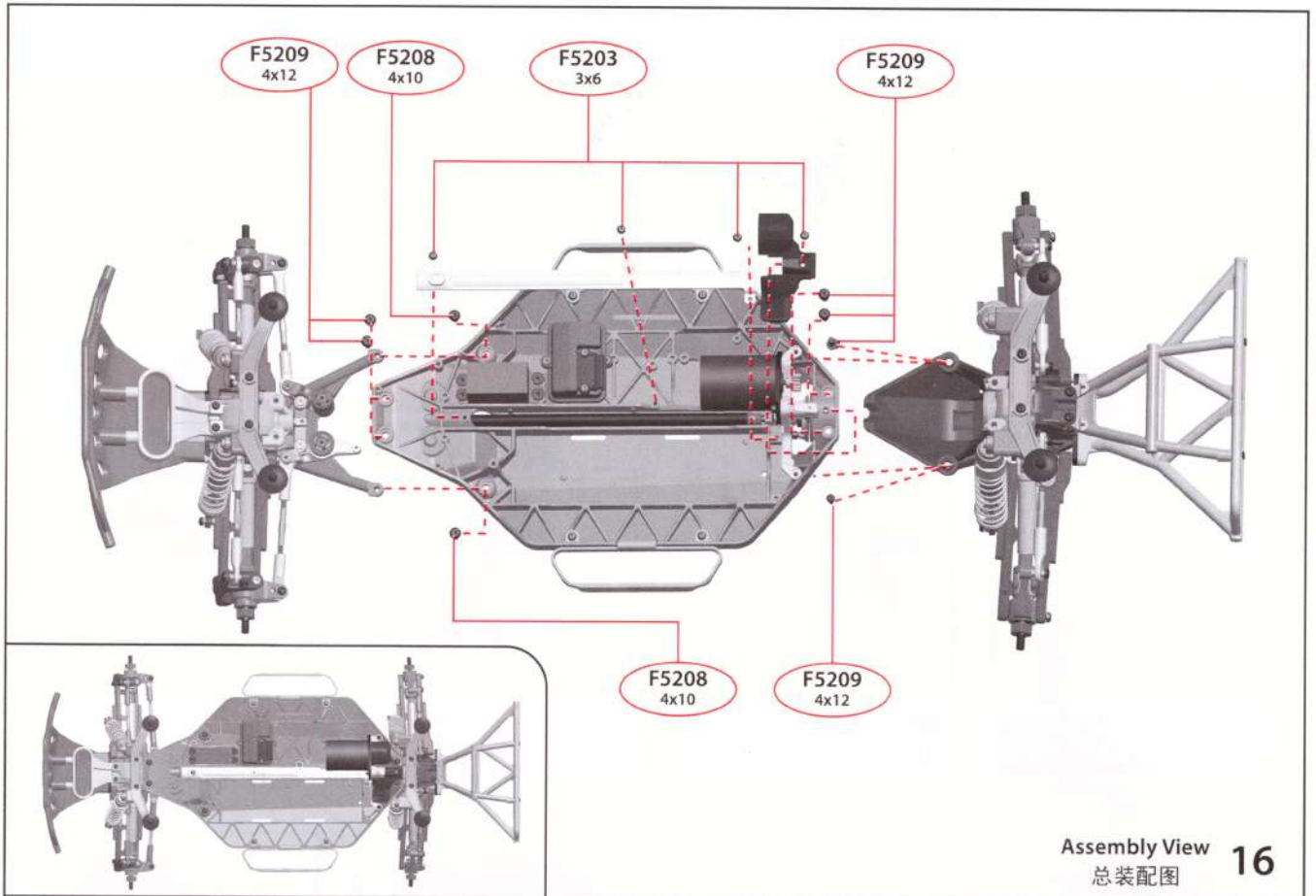
Servo Arm/Steering Arm Assembly
伺服器摇臂拉杆

14

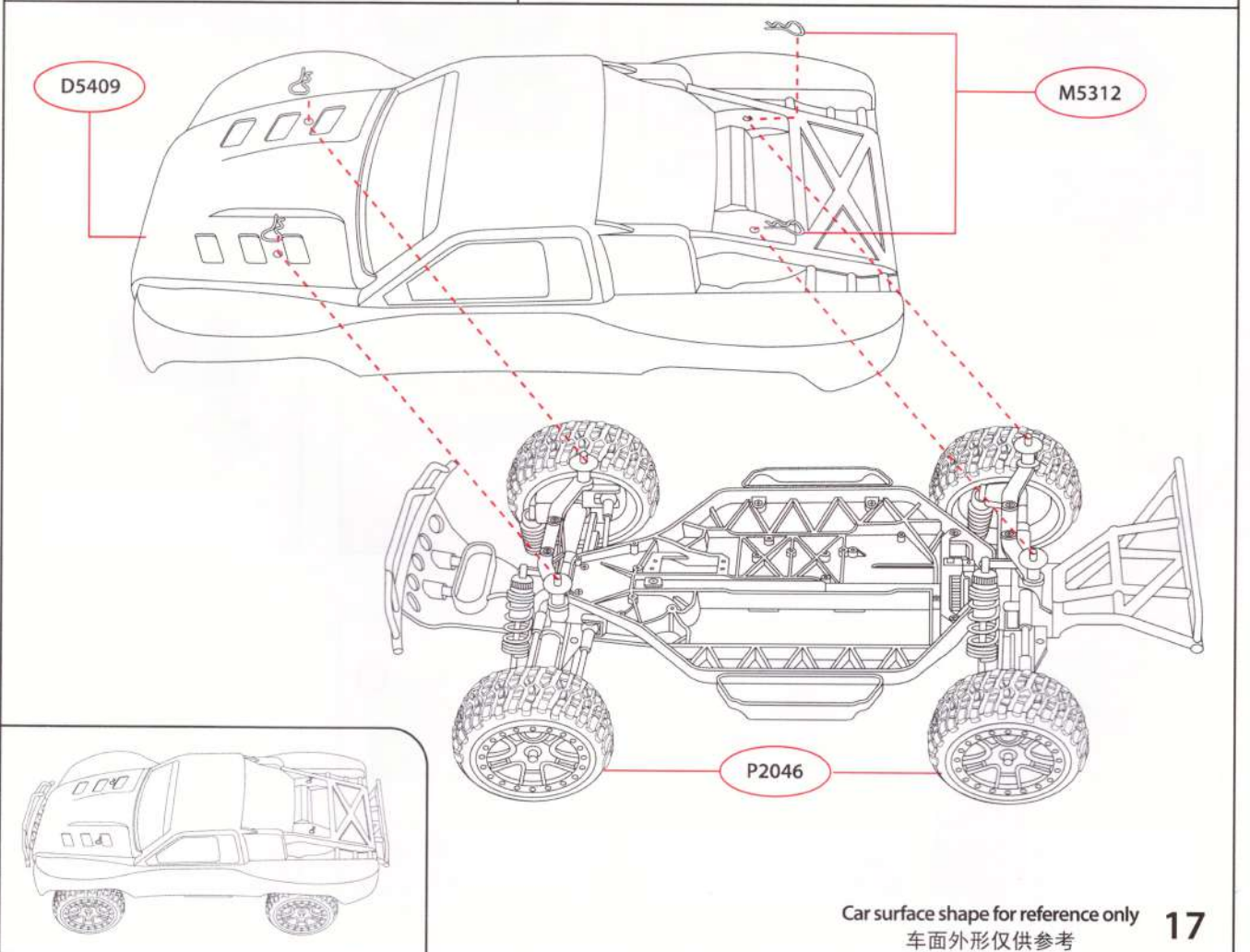


Chassis System Assembly
底盘系统装配图

15



Assembly View 16
总装配图



Car surface shape for reference only 17
车面外形仅供参考